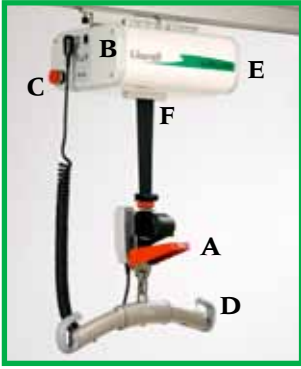


# Likorall 242 ES



Likorall 242 ES with new electronics, prepared for IR-control and rail switch control.

# Likorall 242 ES



## A unique safety system

- A. Mechanical emergency lowering (not with R2R). A reliable safety feature if the motor stops for any reason.
- B. Battery "back-up" for emergency lowering if electricity is interrupted.
- C. Emergency stop button.
- D. Safety catches on the sling bar prevent slings from accidentally unhooking.
- E. Safety drum with speed control and mechanical stops for control of (highest/lowest) lifting span.
- F. SSP, Safety squeeze protection.

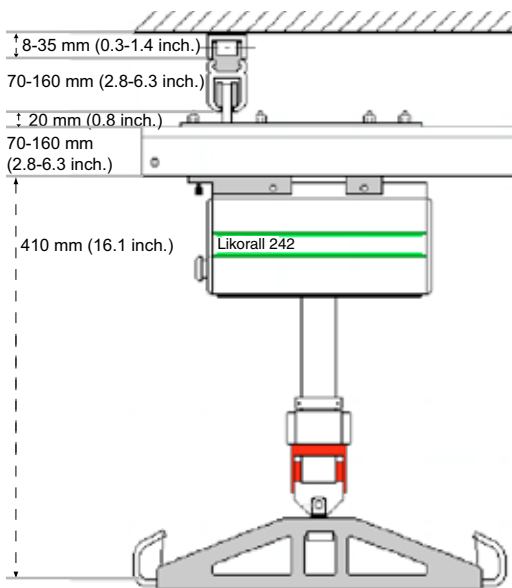


## Room-to-room

Likorall 242 ES R2R makes it possible to move users between rail systems in two rooms that do not have interconnecting rails, without cutting an opening above the door.

## Building Heights

The diagram shows the different measurements (building heights) in a complete Likorall rail installation. Some of the numbers depend on type of installation.



## Battery charging

To recharge Liko's batteries, simply plug the hand-control into the wall-mounted battery charger which is also approved for use in bathrooms. A fully charged battery operates Likorall for approximately 50 lifts.



## Prod.no

- 3122005 Likorall 242 ES, natural
- 3122006 Likorall 242 ES, white
- 3122007 Likorall 242 ES R2R, natural
- 3122008 Likorall 242 ES R2R, white

Transfer motor for Likorall 242 ES



## Wide range of accessories

Likorall and Liko slings and accessories allow one person to easily perform otherwise demanding, and heavy lifts. Liko offers a range of accessories, creating solutions to any lifting problem encountered in healthcare.

## Technical Specifications

**Capacity:** 200 kg (440 lbs)  
**Lifting Speed:** 5 cm/s (2 inch./s)  
**Liftspan:** 210 cm (83 inch.)  
**Motor:** 24 V, 10A

**Em. Lowering:** Electrical and mechanical  
**Batteries:** Two rechargeable, valve regulated lead-acid batteries, 12V 2,6 Ah  
**Battery Charger:** Fully automatic shutdown/restart



Likorall 242 ES is classified as a medical technical device, according to MDD 93/42/EEC. Likorall 242 ES complies with the requirements according to IEC 60601-1, IEC 60601-1-2, EN ISO 10535, UL-2601-1 and CAN/CSA C22.2 No.606.1. Maximum load: 200 kg, 440 lbs.

Design and Quality by Liko in Sweden.

Liko is quality-certified in accordance with ISO 9001 and its equivalent for the medical device industry, ISO 13485.

Liko is also certified in accordance with environmental standard ISO 14001.



[www.liko.com](http://www.liko.com)

### Manufactured by:

Liko AB  
 Nedre vägen 100  
 975 92 Luleå  
 Sweden  
 info@liko.se

### Local representative in UK

Hill-Rom Limited  
 Clinitron House, Ashby Park  
 Ashby de la Zouch,  
 Leicester LE65 1JG  
 Tel: 01530 411000  
 Fax: 01530 411555  
 info@liko.co.uk

### To find your local Liko representative,

please visit [www.liko.com](http://www.liko.com) or call  
 +46 (0)920 47 47 00



A Hill-Rom Company